



Independent Chucks

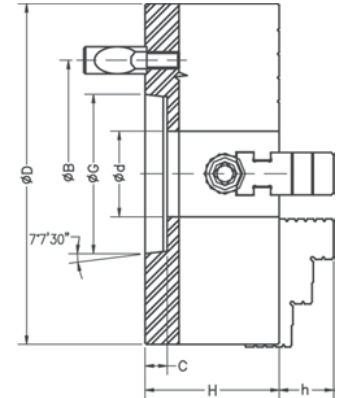
4-Jaw Semi-Steel Body, Type D1 Direct Mount Chucks with Hard Solid Jaws



D Type



Type 4344



Chuck Dia D	Taper Size	Part Number	Hole Dia d	d1*	G	B	C	H	h	Wt lbs
8"	D1-3	7-853-0833	1.9685	1.9685	2.1250	2.7795	.5118	3.1495	0.7874	37
	D1-4	7-853-0834			2.5005	3.2520				
	D1-5	7-853-0835			3.2505	4.1260				
10"	D1-4	7-853-1034	2.3622	2.3622	2.5005	3.2520	.5118	3.3465	1.5866	61
	D1-5	7-853-1035	2.5591	2.9528	3.2505	4.1260	.5906			
	D1-6	7-853-1036			4.1880	5.2520	.6299			
12-1/2"	D1-6	7-853-1236	3.1496	3.7795	4.1880	5.2520	.6299	3.7402	1.5866	87
	D1-8	7-853-1238			5.5007	6.7480	.7087			
15-3/4"	D1-6	7-853-1636	3.9370	4.7244	3.9370	5.2520	.6299	4.1339	1.9606	132
	D1-8	7-853-1638			5.5007	6.7480	.7087			
	D1-11	7-853-1639			7.7507	9.2520	.7874			
20"	D1-8	7-853-2038	4.9213	6.1024	5.3150	6.7480	.7087	4.7244	1.9606	211
	D1-11	7-853-2039			7.7505	9.2520	.7874			
25"	D1-11	7-853-2539	6.2992	6.8898	7.7507	9.2520	.7874	5.5118	2.3543	364

* d1 is the maximum allowed through hole enlargement



Chuck Dia D	Camlock Studs					
	Taper Size	Part Number	Dia	Thread	Qty	
8"	D1-3	7-899-103	9/16	M10x1	3	
	D1-4	7-899-104	5/8	M10x1		
	D1-5	7-899-105	3/4	M12x1		
10"	D1-4	7-899-104	5/8	M10x1	6	
	D1-5	7-899-105	3/4	M12x1		
	D1-6	7-899-106	7/8	M16x1.5		
12-1/2"	D1-6	7-899-106	7/8	M16x1.5	6	
	D1-8	7-899-108	1	M20x1.5		
15-3/4"	D1-6	7-899-106	7/8	M16x1.5	6	
	D1-8	7-899-108	1	M20x1.5		
	D1-11	7-899-111	1-3/16	M22x1.5		
20"	D1-8	7-899-108	1	M20x1.5	6	
	D1-11	7-899-111	1-3/16	M22x1.5		
25"	D1-11	7-899-111	1-3/16	M22x1.5	6	

Set Screw	
Part Number	
7-899-305	
7-899-305	
7-899-310	
7-899-310	
7-899-310	
7-899-310	
7-899-310	
7-899-310	